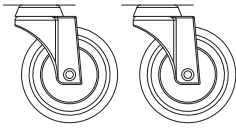
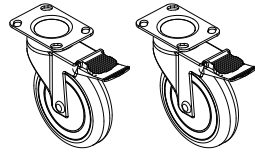


Mobile Kit Quick Installation Guide

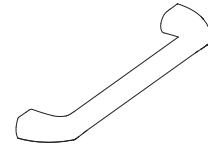
Package Contents



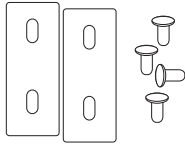
5" Casters x2



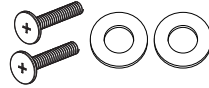
5" Lockable Casters x2



Handle Bar



Stacking Kits x3



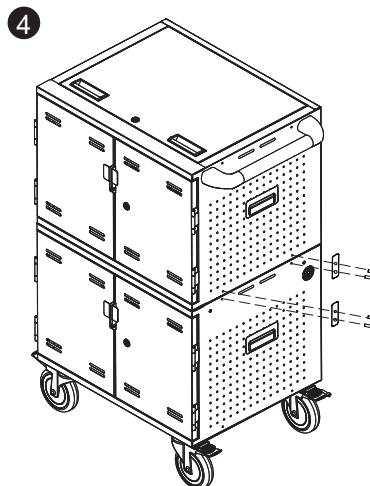
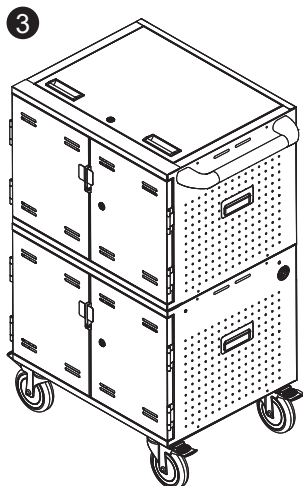
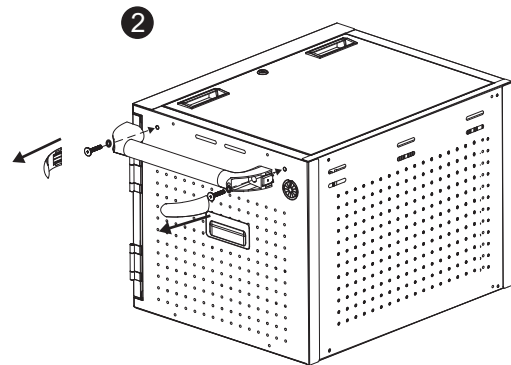
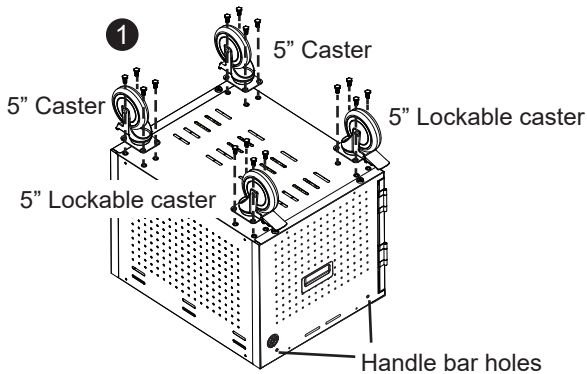
M8 x30mm Handle Bar Screws
and Washers x2



M8 x16mm Caster Screws x16

Mobile Kit

1. Use screws to attach four casters to the base of one cabinet. Lockable casters should be installed on the same side with the handle bar holes to allow easy access.
2. Remove two handle caps out of the handle bar. Use washers and screws to attach the handle bar to another cabinet, using Allen wrench to screw the handle bar.
3. Place the cabinet with the handle on the top of the cabinet with the casters.
4. Use the included stacking kits to secure the cabinets together.



Contact Information

AVer Information Inc.
<https://www.averusa.com>
668 Mission Ct., Fremont, CA 94539, USA
Tel: +1 (408) 263 3828
Toll-free: +1 (877) 528 7824
Technical support: support.usa@aver.com